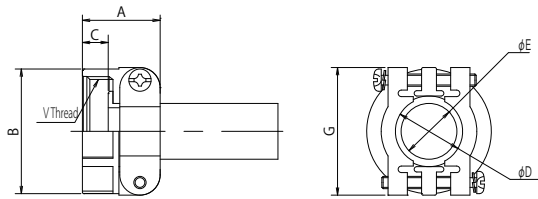


▶ Cable Clamp

DMS3057- □ □ AK

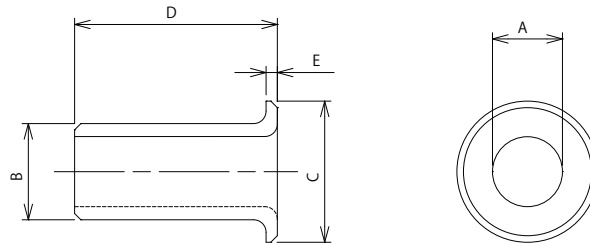


DMS3057- □ □ AK is an accessory which is used together with a backshell to fasten the cable. The cable is fixed in the center of the cable clamp for sure since the cable is fixed from both directions with two pieces of the metal clamps and the screws. The jacketed cable can be used with this cable clamp as well because a rubber bushing shown on the table below is inserted.

Part Number	Shell Size	A±0.7	B±0.7	C	D	E	G±0.7	V	Bushing Part Number
DMS3057-4AK	10SL,12S	20.6	20.6	9.0	7.9	5.6	22.2	5/8-24UNEF	AN3420-4
DMS3057-6AK	14S	22.2	24.6	9.0	11.2	7.9	27.0	3/4-20UNEF	AN3420-6
DMS3057-8AK	16S,16	23.8	27.8	9.0	14.3	11.1	29.4	7/8-20UNEF	AN3420-8
DMS3057-10AK	18	23.8	30.1	9.0	15.9	14.3	31.7	1-20UNEF	AN3420-10
DMS3057-12AK	20,22	23.8	35.0	9.0	19.0	15.9	37.3	1 3/16-18UNEF	AN3420-12
DMS3057-16AK	24,28	26.2	42.1	9.0	23.8	19.1	42.9	1 7/16-18UNEF	AN3420-16
DMS3057-20AK	32	27.8	51.6	11.0	31.7	23.8	51.6	1 3/4-18UNS	AN3420-20
DMS3057-24AK	36	29.4	56.4	10.5	34.9	31.8	58.0	2-18UNS	AN3420-24

▶ Rubber Bushing

AN3420- □ □



AN3420- □ □ is an accessory which is designed to tighten the cable. When you need thinner cable, you can duplicate or triplicate the rubber bushings.

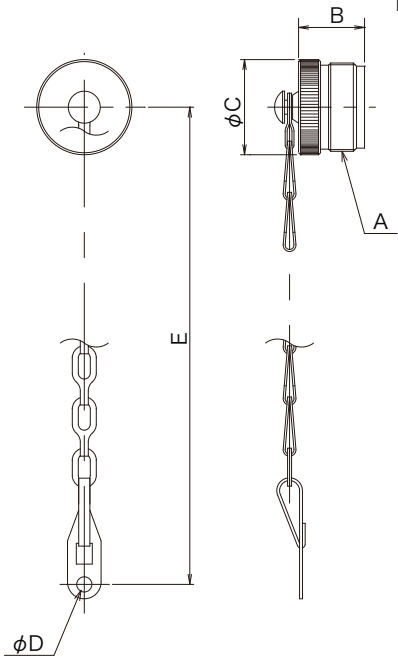
Part Number	φ A	φ B	φ C	D±0.7	E
AN3420-4	5.6	7.7	14.5	69.8	2.3
AN3420-6	7.9	10.8	17.5	66.7	2.3
AN3420-8	11.1	14.0	20.8	63.5	2.3
AN3420-10	14.3	15.6	23.7	60.3	2.3
AN3420-12	15.9	18.8	28.2	57.2	2.3
AN3420-16	19.1	23.5	35.0	54.0	2.9
AN3420-20	23.8	31.5	42.8	50.8	2.9
AN3420-24	31.8	34.7	48.8	47.6	2.9

▶ Cap and Chain for Plug

DMS25042- □□ DK

《Fastenning the cap and chain》

Fasten the chain hole "D" to the tightening screw of cable clamp or split back shell.



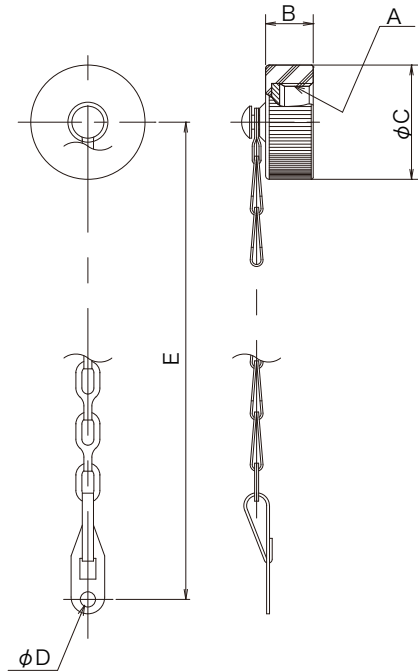
Part Number	Applicable Shell Size	A	B	φ C	φ D	E
DMS25042-10DK	10SL	5/8-24UNEF	16.66	17.45	4.0	170.8
DMS25042-12DK	12S	3/4-20UNEF	21.44	20.62	4.0	170.8
DMS25042-14DK	14S	7/8-20UNEF	21.44	23.80	4.0	170.8
DMS25042-16DK	16S, 16	1-20UNEF	21.44	26.97	4.0	170.8
DMS25042-18DK	18	1 1/8-18UNEF	21.44	30.15	4.0	170.8
DMS25042-20DK	20	1 1/4-18UNEF	21.44	33.32	4.8	170.8
DMS25042-22DK	22	1 3/8-18UNEF	21.44	36.50	4.8	170.8
DMS25042-24DK	24	1 1/2-18UNEF	21.44	39.67	4.8	170.8
DMS25042-28DK	28	1 3/4-18UNS	21.44	46.02	4.8	170.8
DMS25042-32DK	32	2-18UNS	21.44	52.37	5.6	170.8
DMS25042-36DK	36	2 1/4-16UN	21.44	58.72	5.6	170.8

▶ Cap and Chain for Receptacle

DMS25043- □□ DK

《Fastenning the cap and chain》

Fasten the chain hole "D" to the mounting screw of receptacle.



Part Number	Applicable Shell Size	A	B	φ C	φ D	E
DMS25043-10DK	10SL	5/8-24UNEF	11.91	20.70	3.6	170.8
DMS25043-12DK	12S	3/4-20UNEF	11.91	25.40	3.6	170.8
DMS25043-14DK	14S	7/8-20UNEF	11.91	28.58	3.6	170.8
DMS25043-16DK	16S, 16	1-20UNEF	11.91	30.18	3.6	170.8
DMS25043-18DK	18	1 1/8-18UNEF	11.91	34.13	3.6	170.8
DMS25043-20DK	20	1 1/4-18UNEF	11.91	37.31	3.6	170.8
DMS25043-22DK	22	1 3/8-18UNEF	11.91	40.49	3.6	170.8
DMS25043-24DK	24	1 1/2-18UNEF	11.91	43.66	4.4	170.8
DMS25043-28DK	28	1 3/4-18UNS	13.49	50.01	4.4	170.8
DMS25043-32DK	32	2-18UNS	13.49	56.36	4.8	170.8
DMS25043-36DK	36	2 1/4-16UN	13.49	62.71	4.8	170.8

A cap and chain is designed to cover the mating face from dust to avoid electrical trouble.

The moistureproof gasket is attached to the cap and chain (DMS25043- □□ DK) .

(Note) When using the smaller shell size less than 22 of cable receptacle(DMS3101A), the chain can not be fasten to the cable clamp.

© Specifications and/or dimensions in this catalog are subject to change without notice.
Your checking the latest specifications with our drawings would be highly appreciated.